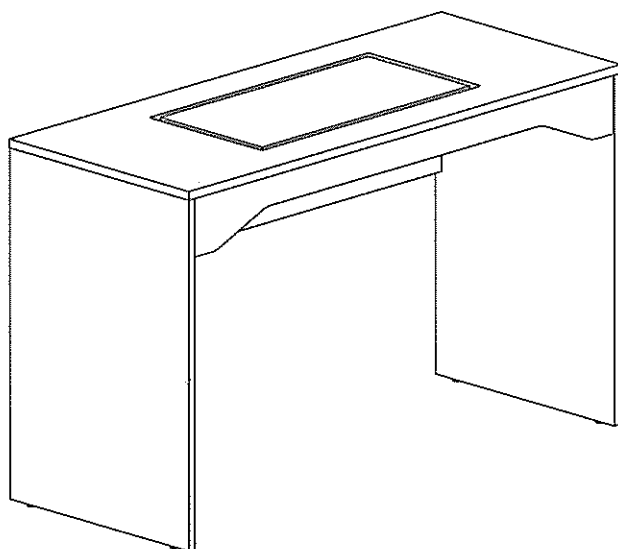
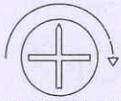


ASSEMBLY INSTRUCTIONS

ITEM No.:HRN.KD.ST



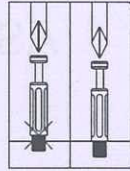


Turn clockwise to lock cam with bolt.

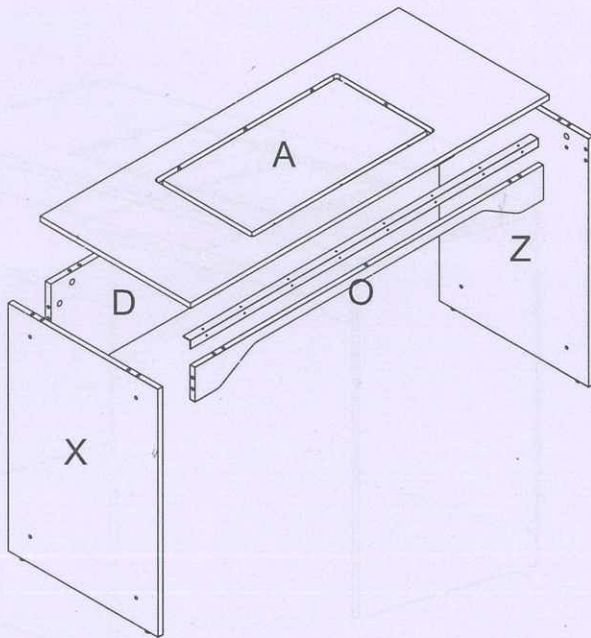


The arrow direction=front

Incorrect Correct



Screw cam bolts all the way in.



PARTS LIST

ITEM	DESCRIPTION	QTY.
A	Top panel	1
D	Back panel	1
X	Left side panel	1
Z	Right side panel	1
O	Panel	1
L	L metal bar	1

PARTS LIST

ITEM	DESCRIPTION	QTY.	ITEM	DESCRIPTION	QTY.
(c1)	6*35 Cam Bolt	33	(b1)	6*30 Fix Bolt	4
(d1)	8*30 Dowel pin	26	(c3)	Cover	4
(c2)	($\frac{7}{8}$ ") Cam Cover	33	(s5)	Feet Pins	4
(s1)	3.5*14 Screw	16	(a)	Wrench	1
(s2)	Shelf support	7			



(c1) 6x35 Cam Bolt-17



(d1) 8x30 Dowel Pin-13



(c2) ($\frac{7}{8}$ ") Cam Cover-17



(s1) 3.5x14 Screw-16



(s5) Feet Pin-6



(a) Wrench-1



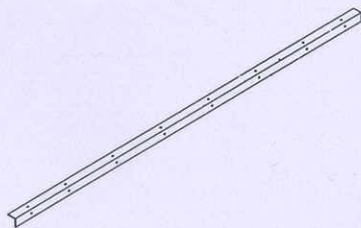
(b1) 6x30 Fix Bolt-4



(c3) Cover-4



(s2) Shelf support-7



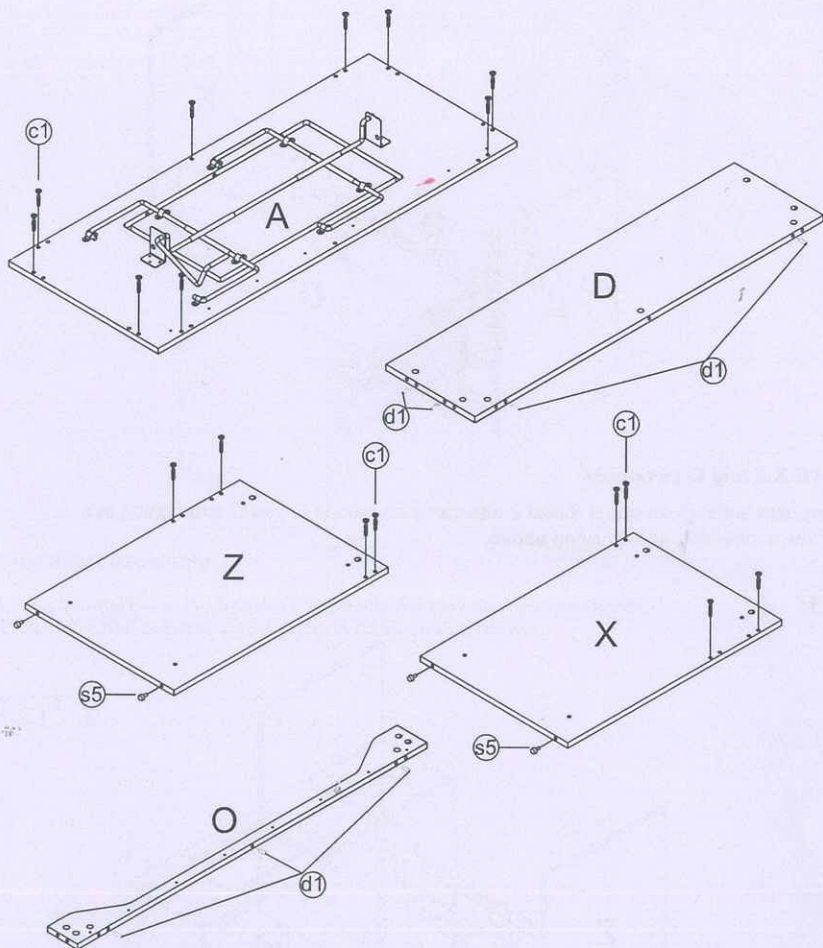
(L) L metal bar-1

Pre-installed parts



(c5) Cam

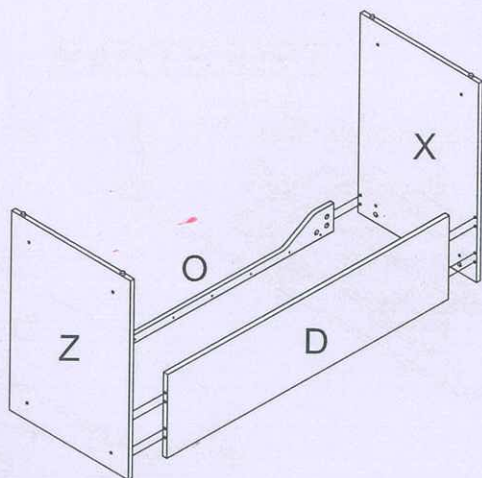
STEP 1



Preparing panel A.X.Z.D and O.

1. Insert cam bolts (c1) into panels A.X and Z as illustrated above.
2. Insert dowel pins (d1) to panels X.Z.O and D as illustrated above.
3. Insert feet pins (s5) to panels X and Z as illustrated above.

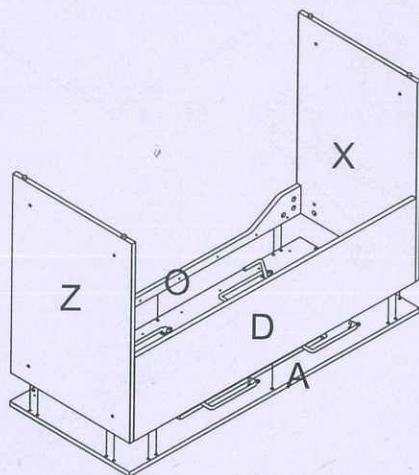
STEP 2



Panel D.X.Z and O assembly.

1. Insert cam bolts (C) on panel X and Z into cams on panels O and D and tighten in a clockwise direction as illustrated above.

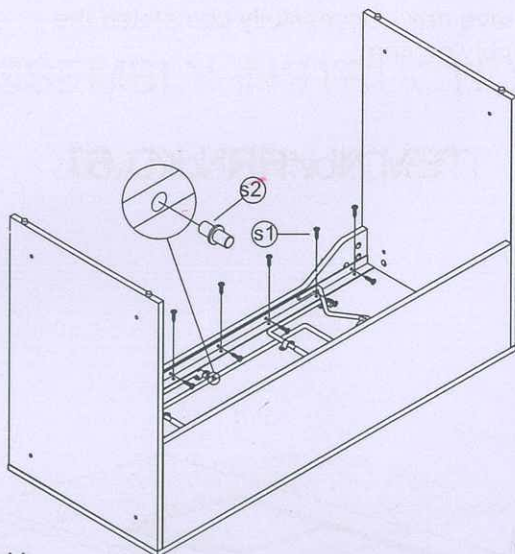
STEP 3



Panel A assembly.

1. Insert cam bolts (C) on panel A into cams on panels X.Z.D and O and tighten in a clockwise direction as illustrated above.

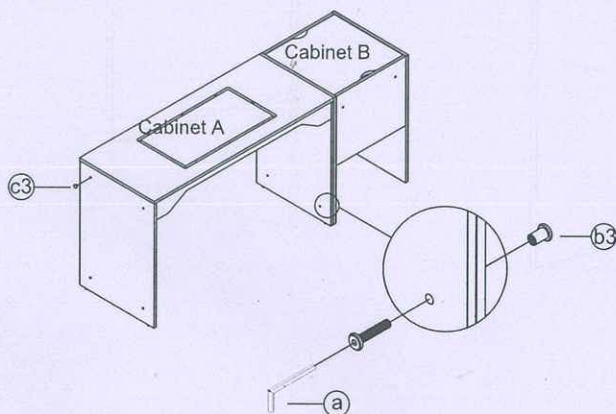
STEP 4



L metal bar assembly.

1. Fix L metal bar using Screw s1 to panels A and O as illustrated above.
2. Insert Shelf support s2 on panel A as illustrated above.

STEP 5



Fix Bolt assembly.

1. Connecting Cabinet A and B is using Wrench a to insert Fix Bolt b3 as illustrated above.

You have now successfully completed the
assembly on item:

ITEM No.:HRN.KD.ST

