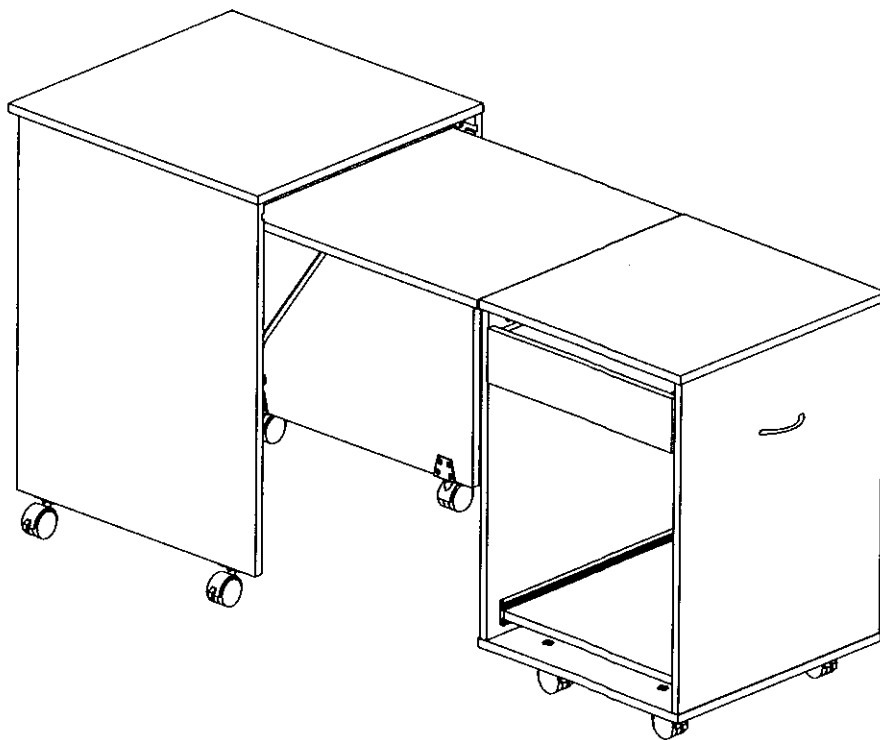
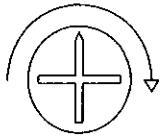


ASSEMBLY INSTRUCTIONS

ITEM No.: Modular Over Locker Cabinet



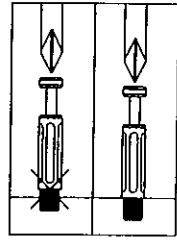


Turn clockwise to lock cam with bolt.

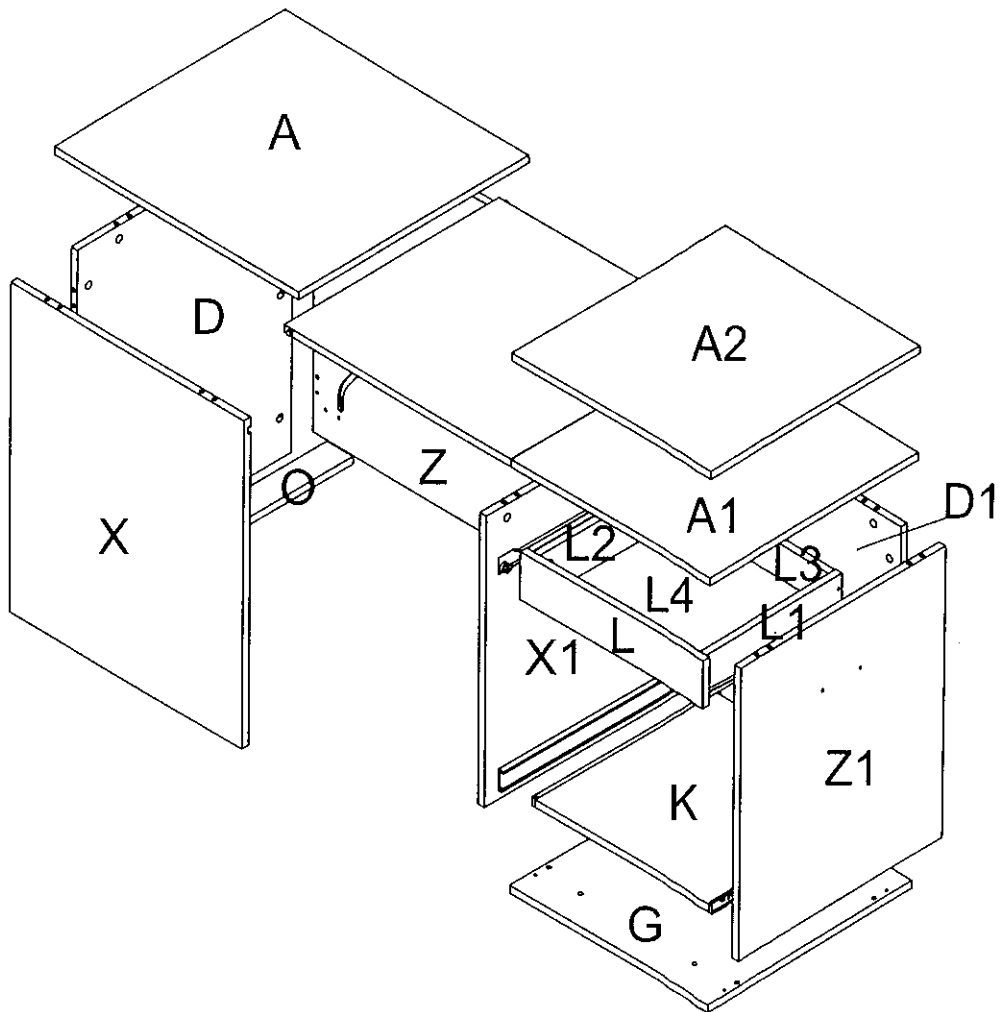


The arrow direction=front

Incorrect Correct



Screw cam bolts all the way in.



PARTS LIST

| ITEM | DESCRIPTION | QTY. |
|------|--------------------|------|
| A | Top panel | 1 |
| A1 | Pullout Top panel | 1 |
| A2 | Press/Ironing pad | 1 |
| G | Bottom | 1 |
| X | Left Side Panel | 1 |
| Z | Right Side Panel | 1 |
| X1 | Left Side Panel | 1 |
| Z1 | Right Side Panel | 1 |
| D | Back Panel | 1 |
| D1 | Pullout Back Panel | 1 |
| O | Bottom Rail | 1 |
| L | Drawer Front | 1 |
| L1 | Drawer Side Left | 1 |
| L2 | Drawer Side Right | 1 |
| L3 | Drawer Back | 1 |
| L4 | Drawer Bottom | 1 |
| K | Pullout shelf | 1 |

PARTS LIST

| ITEM | DESCRIPTION | QTY. | ITEM | DESCRIPTION | QTY. |
|------|------------------|------|------|------------------|------|
| (c1) | 6*35 Cam Bolt | 38 | (h) | Handle | 1 |
| (d1) | 8*30 Dowel pin | 28 | (b2) | 4*20 Handle Bolt | 2 |
| (c2) | (5/8") Cam Cover | 38 | (b4) | Washer | 4 |
| (t1) | Castor | 8 | (S3) | 3.5*35 Screw | 4 |
| (r3) | 14mm Spanner | 1 | | | |



(c1) 6*35 Cam Bolt-38



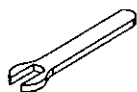
(d1) 8*30 Dowel Pin-28



(c2) (5/8") Cam Cover-38



(t1) Castor-8



(r3) 14mm Spanner-1



(h) Handle-1



(b2) 4*20 Fix Bolt-2



(b4) Washer-4



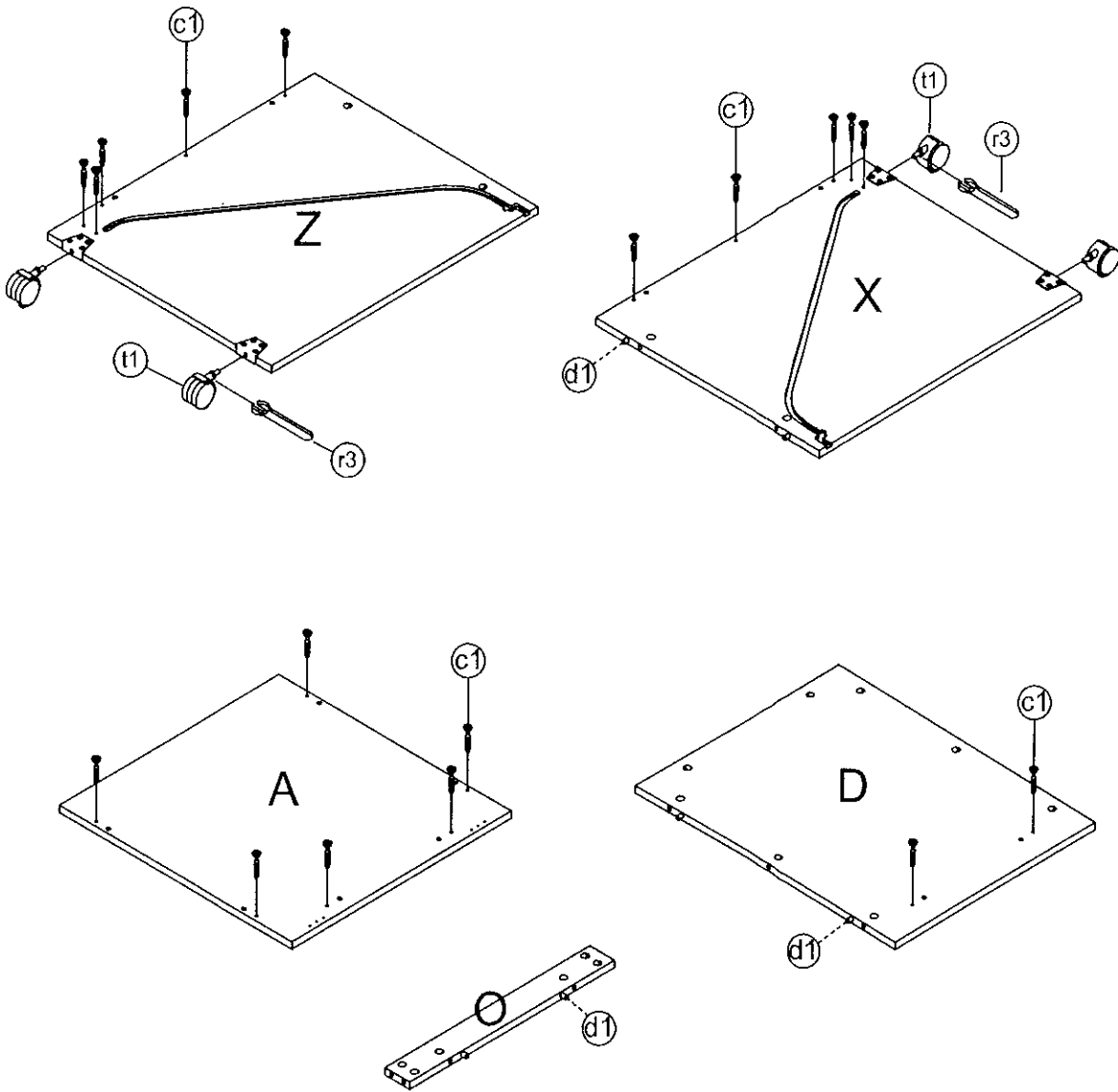
(S3) 3.5*35 Screw-4

Pre-installed parts



(c5) Cam

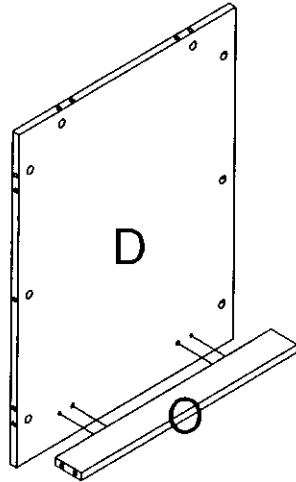
STEP 1



Preparing panels A,D,X,Z, and O

1. Insert cam bolts (c1) into panels A,X,D and Z as illustrated above.
2. Insert dowel pins (d1) to panels X,Z,O and D as illustrated above.

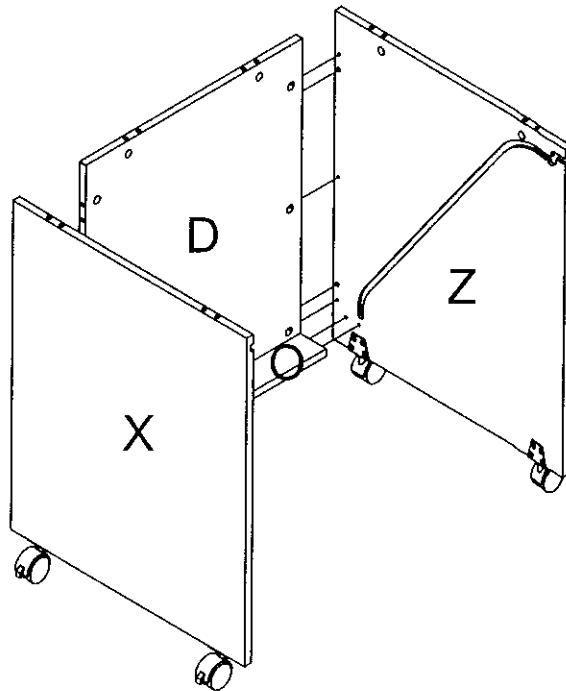
STEP 2



Panel D and O assembly.

1. Insert cam bolts (C) on panel D into cams on panels O and tighten in a clockwise direction as illustrated above.

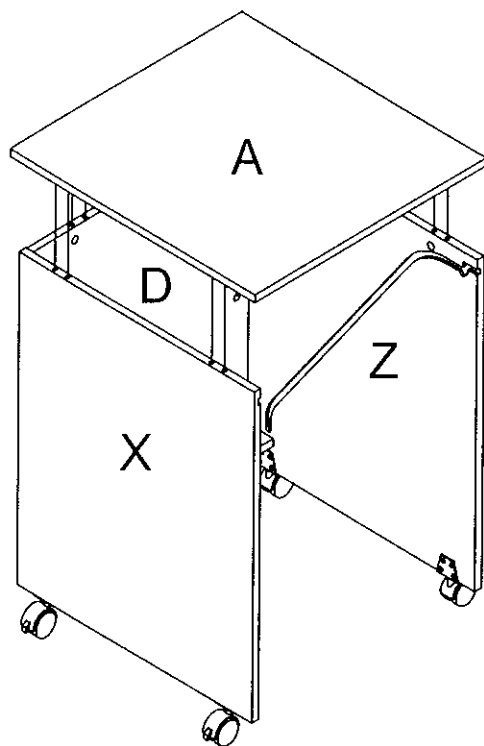
STEP 3



Panel X and Z assembly.

1. Insert cam bolts (C) on panel X and Z into cams on panels D and O and tighten in a clockwise direction as illustrated above.

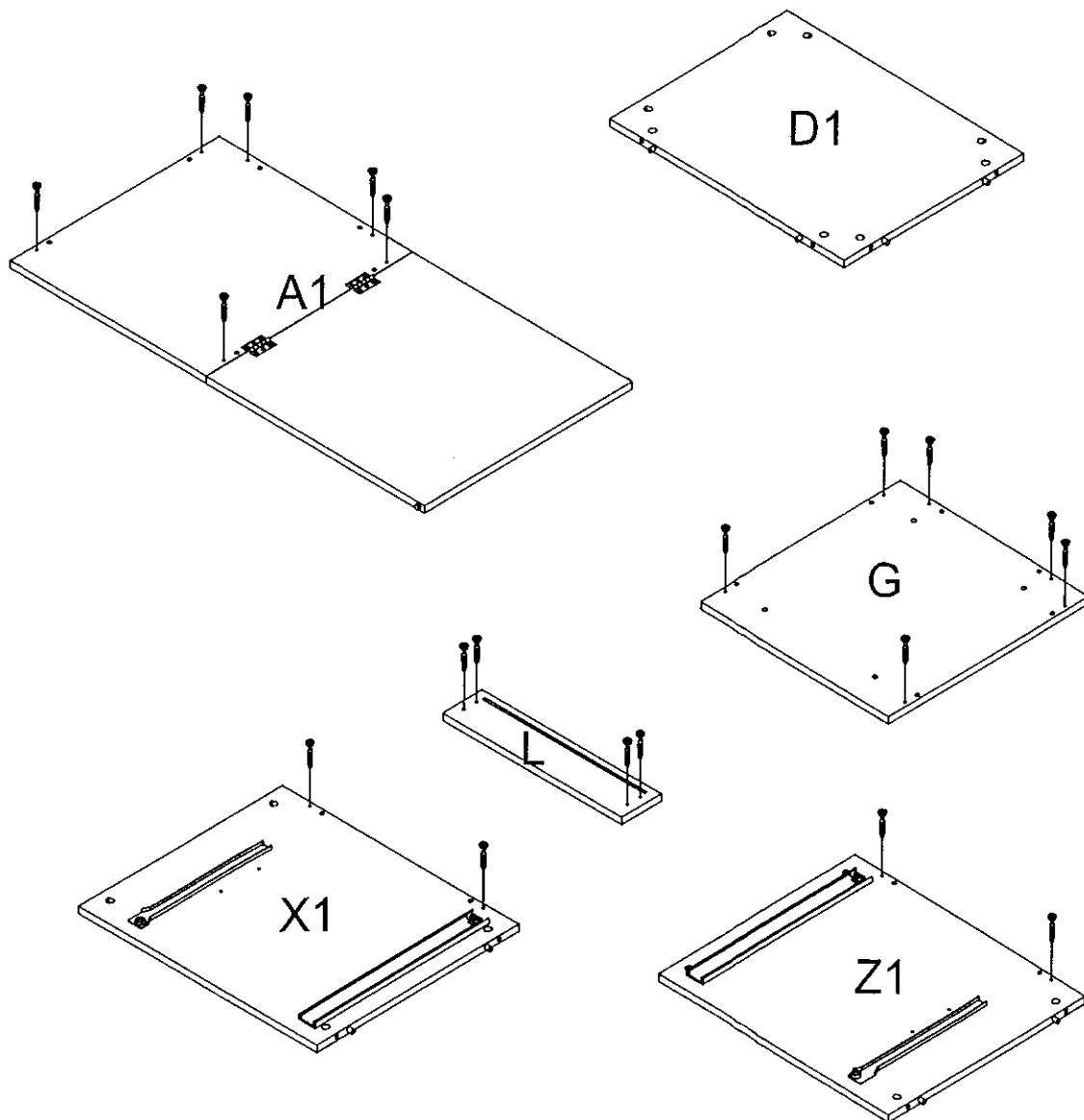
STEP 4



Panel A assembly.

1. Insert cam bolts (C) on panel A into cams on panels X,Z and D and tighten in a clockwise direction as illustrated above.

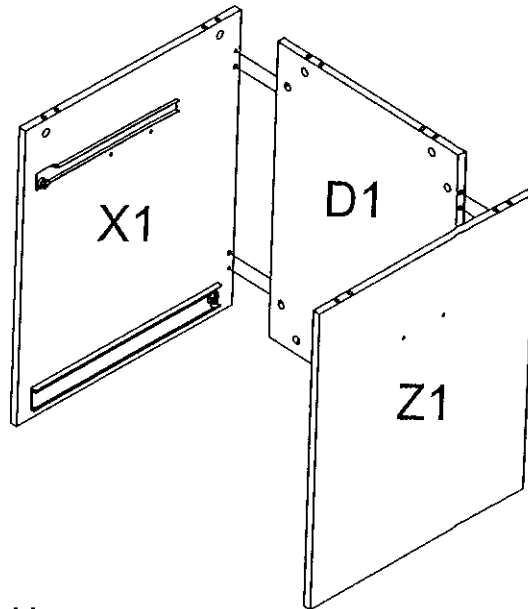
STEP 5



Preparing panels A1,D1,X1,Z1,L and G

1. Insert cam bolts (c1) into panels A1,X1,G,L and Z1 as illustrated above.
2. Insert dowel pins (d1) to panels X1,Z and D as illustrated above.

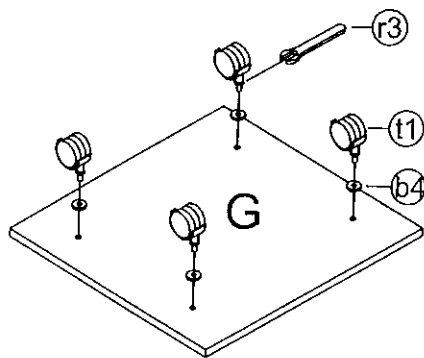
STEP 6



Panel D1,X1, and Z1 assembly.

1. Insert cam bolts (c1) on panel X1 and Z1 into cams on panels D1 and tighten in a clockwise direction as illustrated above.

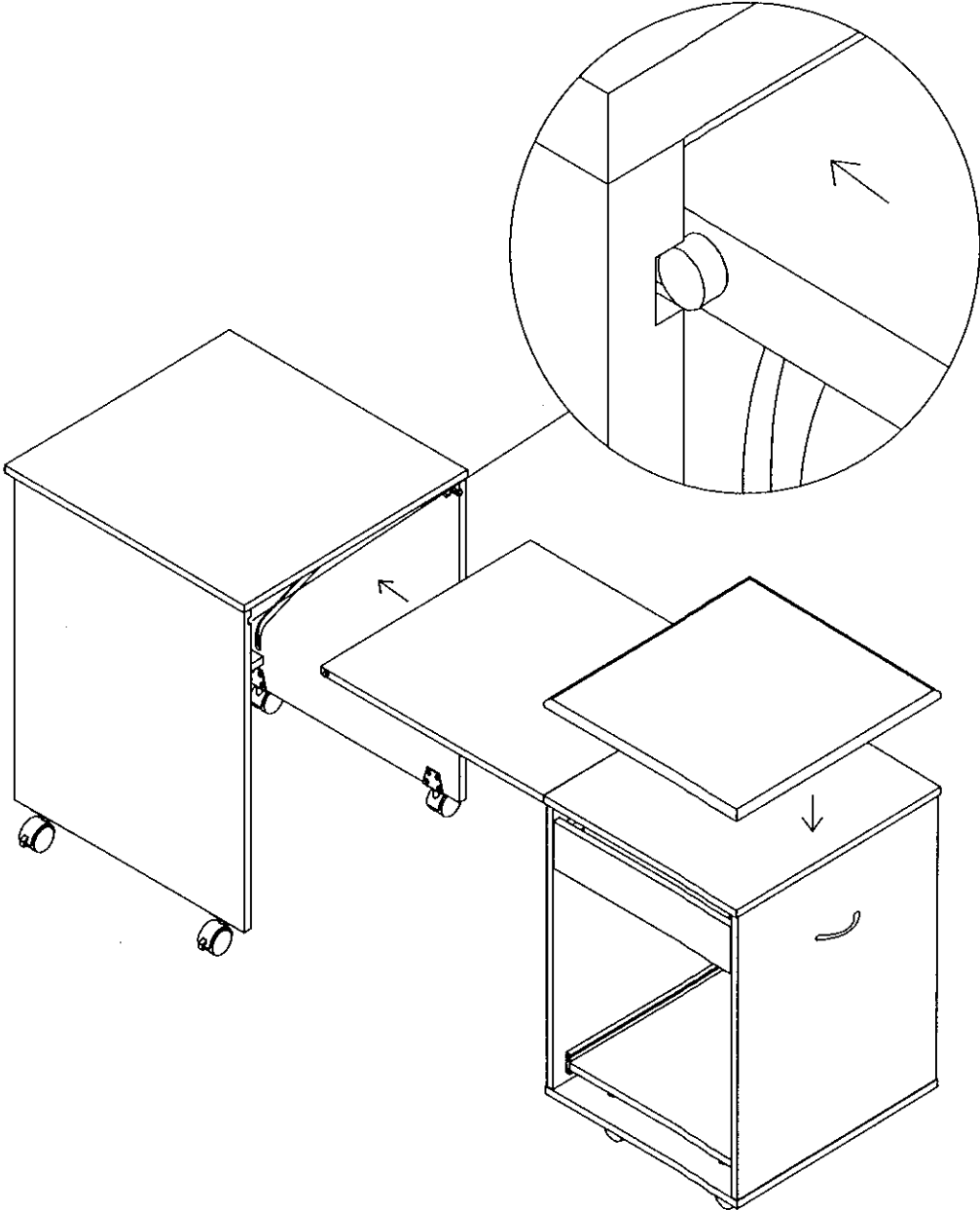
STEP 7



Panel G assembly.

1. Fix Castor (t1) and plastic washer (b4) to panels G as illustrated above.

STEP 12



Pullout Cabinet and Cabinet Assembly.

- 1. Place Ironing/Pressing pad as illustrated above.
- 2. Slide A1 panel flap slider wheels into Cabinet routed rails on panels X and Z as illustrated above.