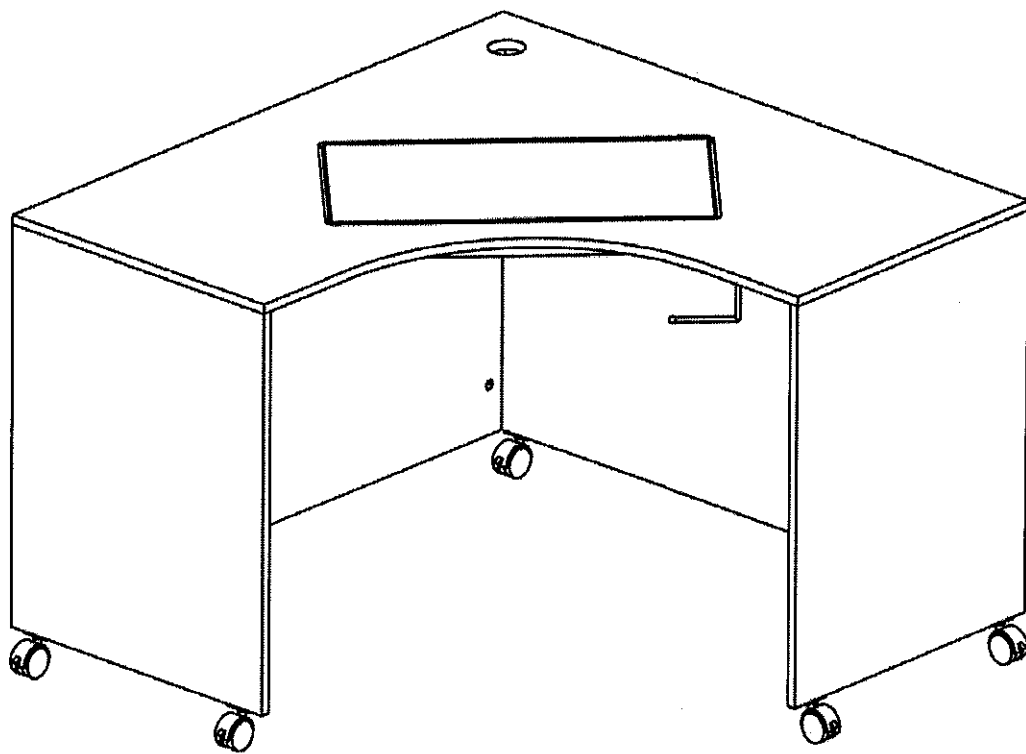
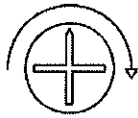


ASSEMBLY INSTRUCTIONS

ITEM No.: 2021



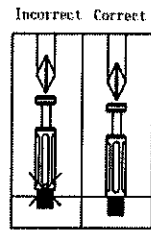
Assembly Video can be found on our website at www.arrowcabinets.com in Video Section.
Questions? Call 1-800-533-7347 press 1 or Email: cs@arrowcabinets.com



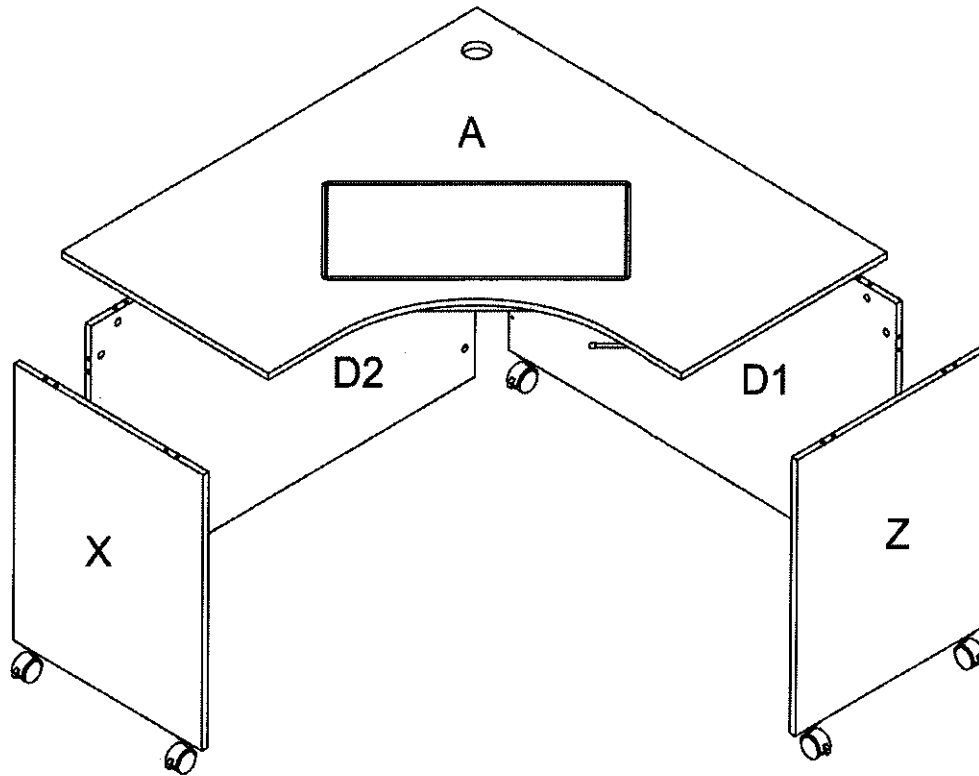
Turn clockwise to lock cam with bolt.



The arrow direction=front



Screw cam bolts all the way in.



PARTS LIST

| ITEM | DESCRIPTION | QTY. |
|------|------------------|------|
| A | Top panel | 1 |
| D1 | Back Panel | 1 |
| D2 | Back Panel | 1 |
| Z | Left Side Panel | 1 |
| X | Right Side Panel | 1 |



Metal Bar Support 1

PARTS LIST

| ITEM | DESCRIPTION | QTY. |
|------|------------------|------|
| (c1) | 6*35 Cam Bolt | 16 |
| (d1) | 8*30 Dowel pin | 14 |
| (c2) | (5/8") Cam Cover | 16 |
| (t1) | Castor | 5 |
| (r3) | 14mm Spanner | 1 |
| (O1) | Cable Port | 1 |



(c1) 6*35 Cam Bolt-16



(d1) 8*30 Dowel Pin-14



(c2) (5/8") Cam Cover-16



(t1) Castor-5



(r3) 14mm Spanner-1



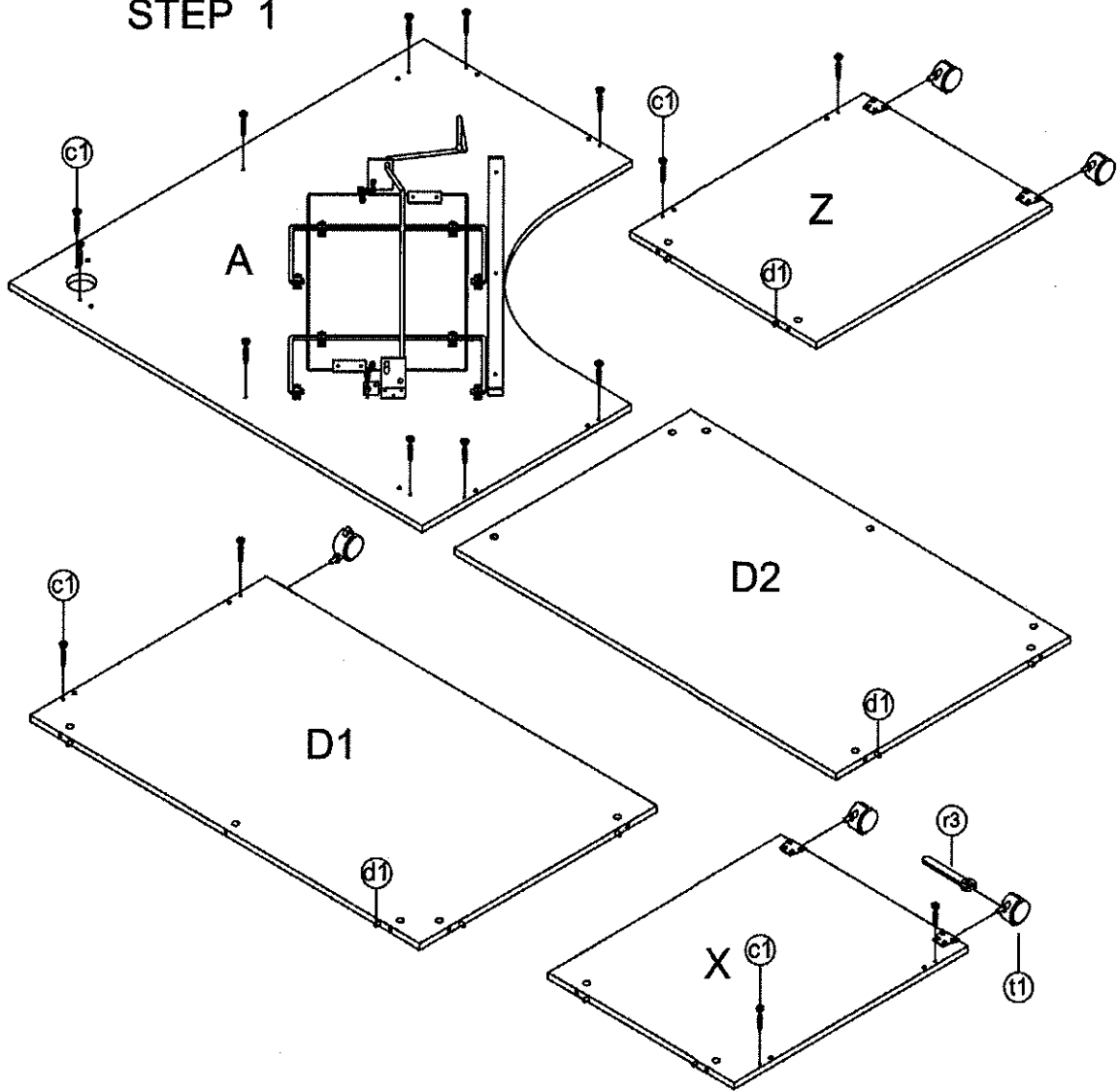
(O1) Cable Port-1

Pre-installed parts



(c5) Cam

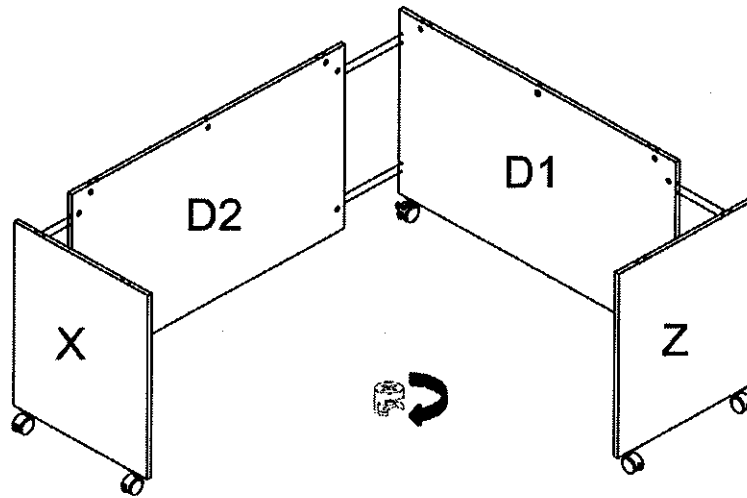
STEP 1



Preparing panels A,X,Z,D1 and D2

1. Insert cam bolts (C1) into panels A,X,D1 and Z as illustrated above.
2. Insert dowel pins (d1) to panels X,Z,D1 and D2 as illustrated above.
3. Install casters t1 with r3 tool into panels X, Z, and D1 as illustrated above.

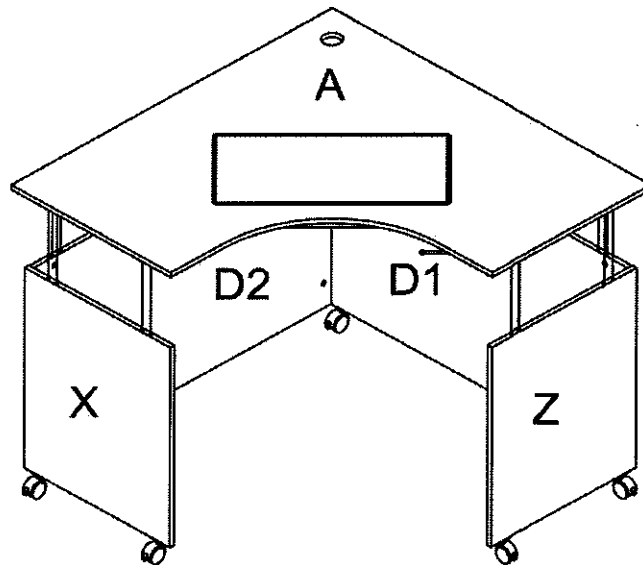
STEP 2



Panel X,Z,D1 and D2 assembly.

1. Insert cam bolts ① on panel X,Z and D1 into cams on panels D1 and D2 and tighten in a clockwise direction as illustrated above.

STEP 3

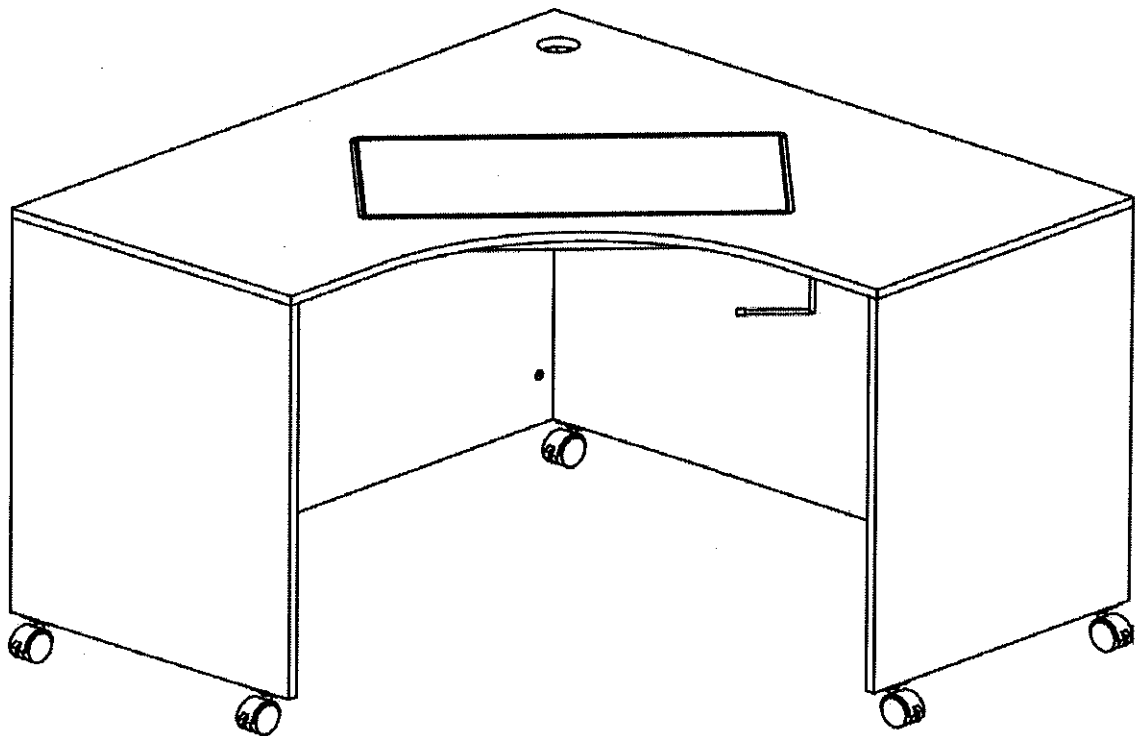


Panel A assembly.

1. Insert cam bolts ① on panel A into cams on panels X,Z,D1 and D2 and tighten in a clockwise direction as illustrated above.

You have now successfully completed the
assembly on item:

ITEM NO. : 2021



6