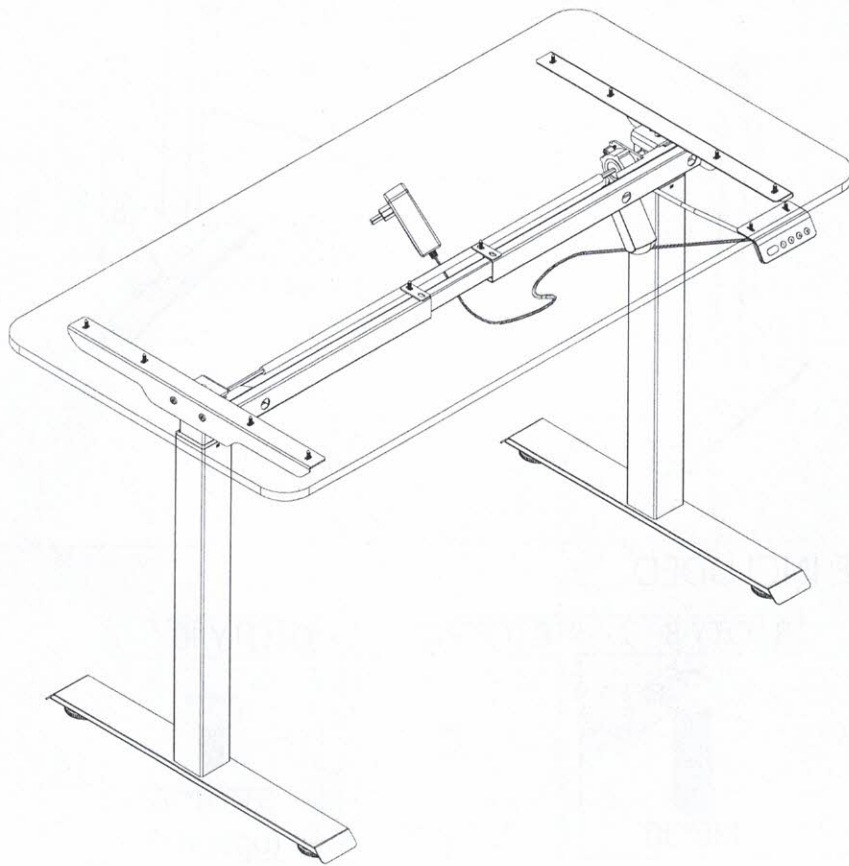


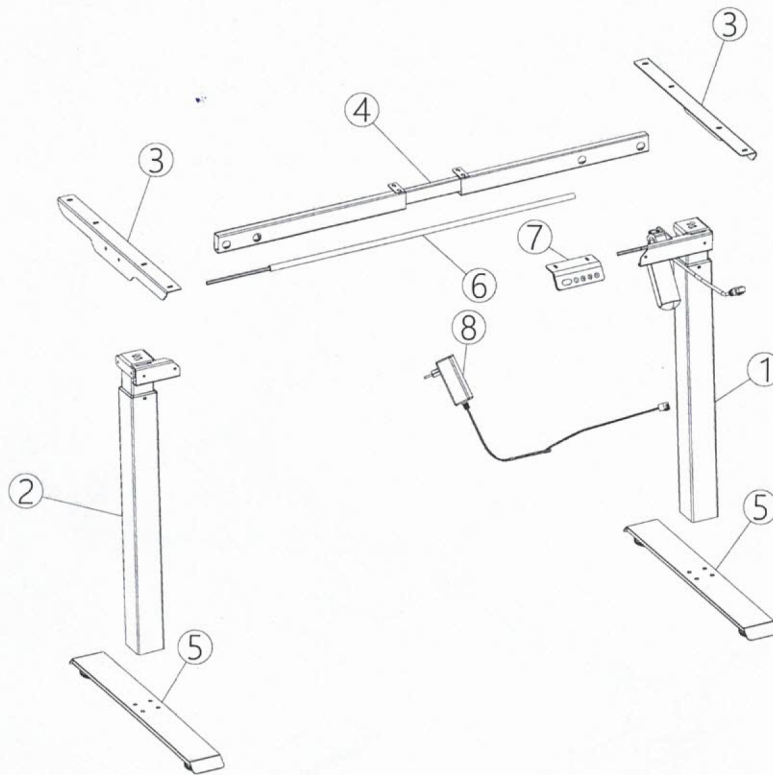
"ELLIE" ELECTRIC CUTTING TABLE INSTRUCTION MANUAL

For video instructions, visit horn.com.au and search "Ellie"

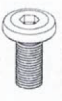

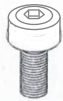




REV.20240531

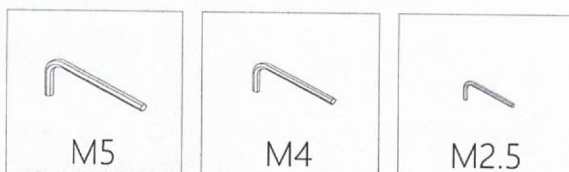
INSTALLATION INSTRUCTION



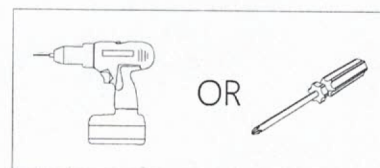
HARDWARE INCLUDED

QTY: 12 (BLACK)	QTY: 8 (SILVER)	QTY: 4 (SILVER)	QTY: 2 (SILVER)	QTY: 2 (SILVER)
				
M5	M5	M5	CONTROL PAD	SPARE - FOR CONTROL PAD M 2.5

TOOLS INCLUDED



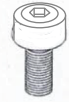
TOOLS REQUIRED



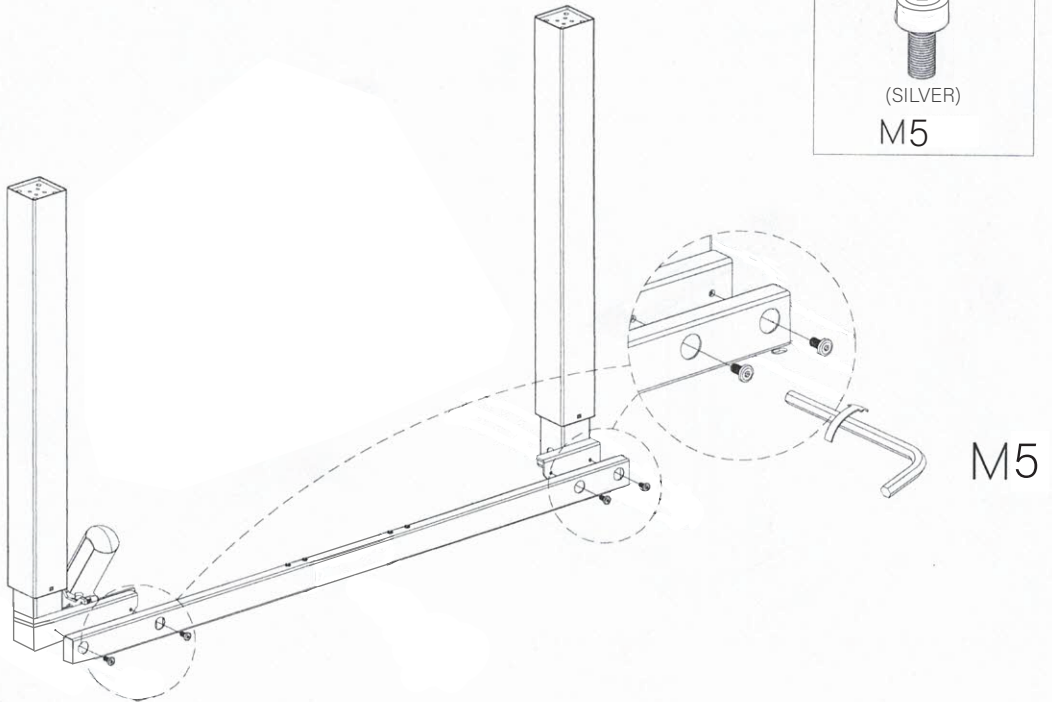
INSTALLATION INSTRUCTION

STEP 1

QTY:4



(SILVER)
M5

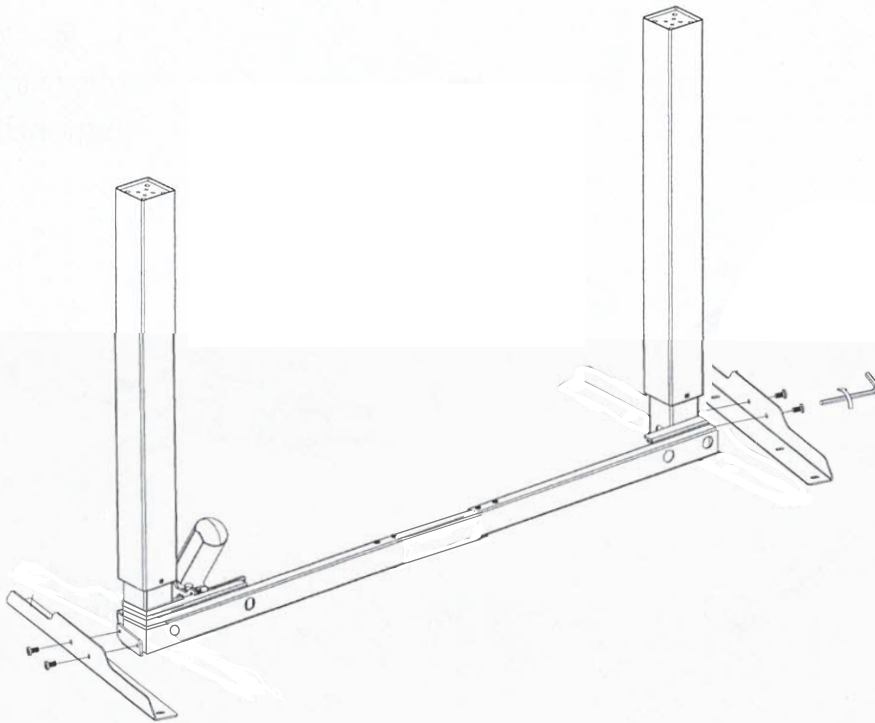


STEP 2

QTY:4

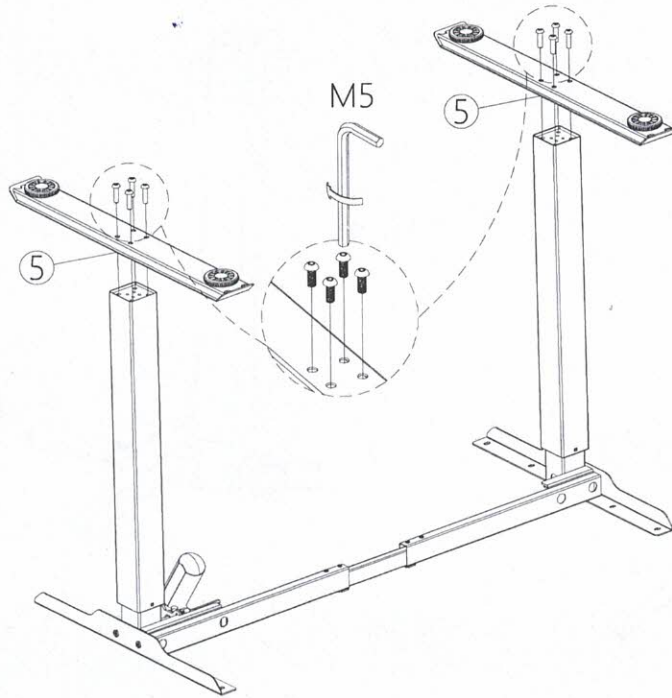


(BLACK)
M5



INSTALLATION INSTRUCTION

STEP 3



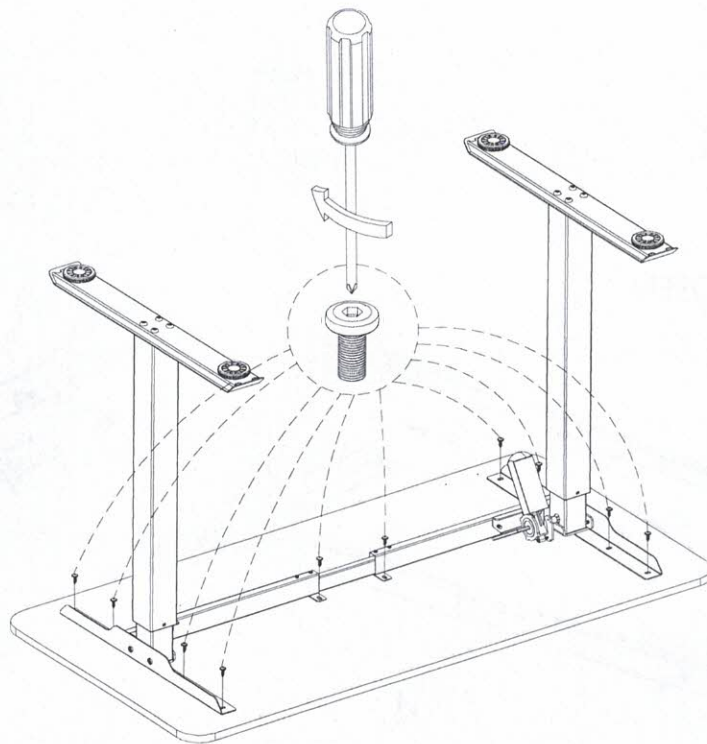
B QTY:8



(SILVER)

M5

STEP 4



A QTY:8

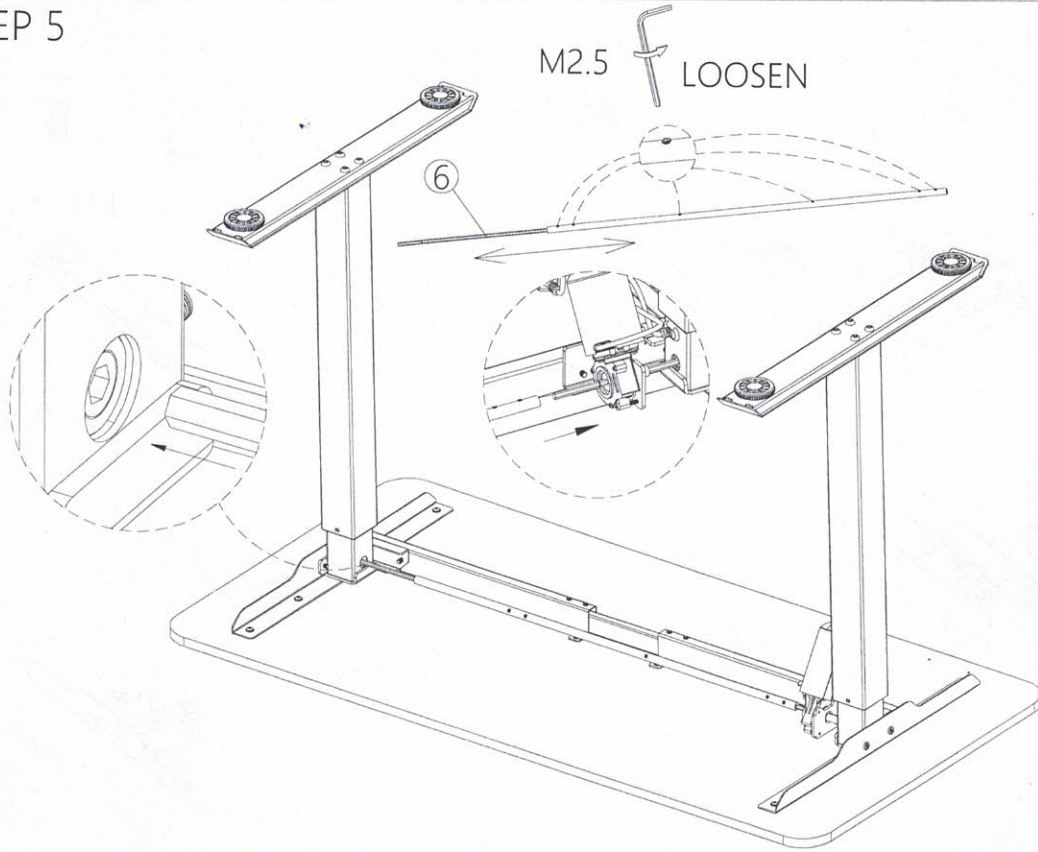


(BLACK)

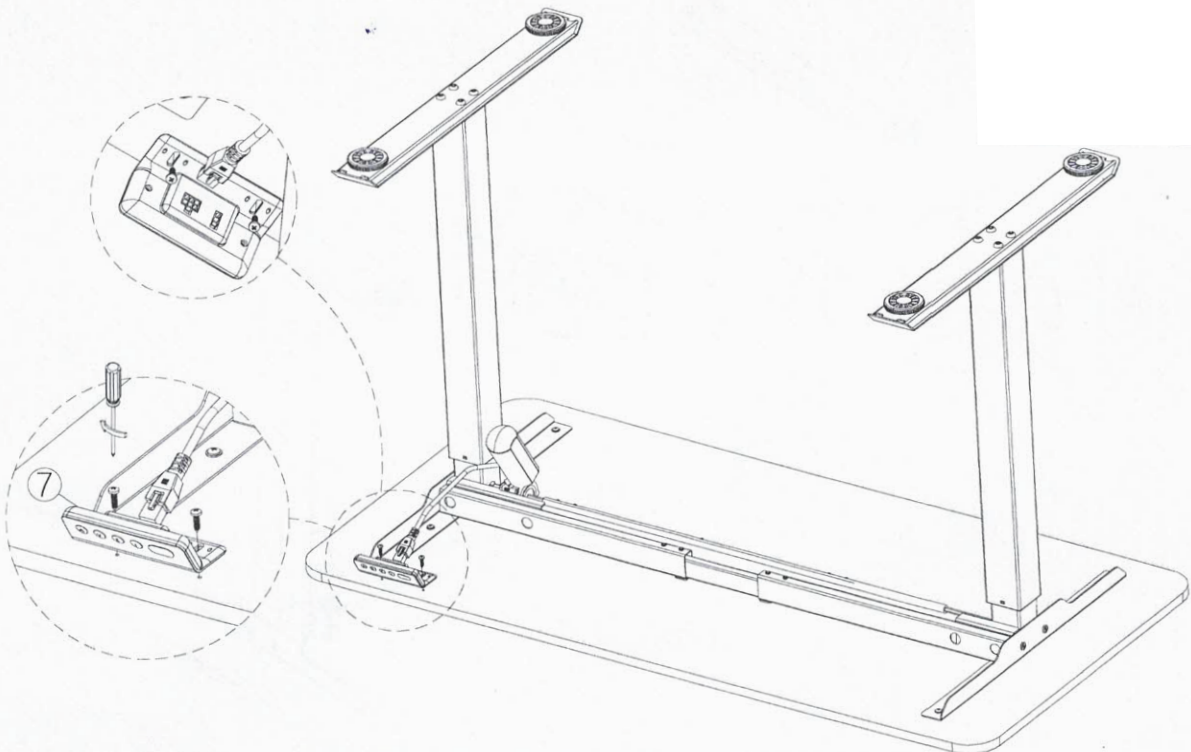
M4

INSTALLATION INSTRUCTION

STEP 5

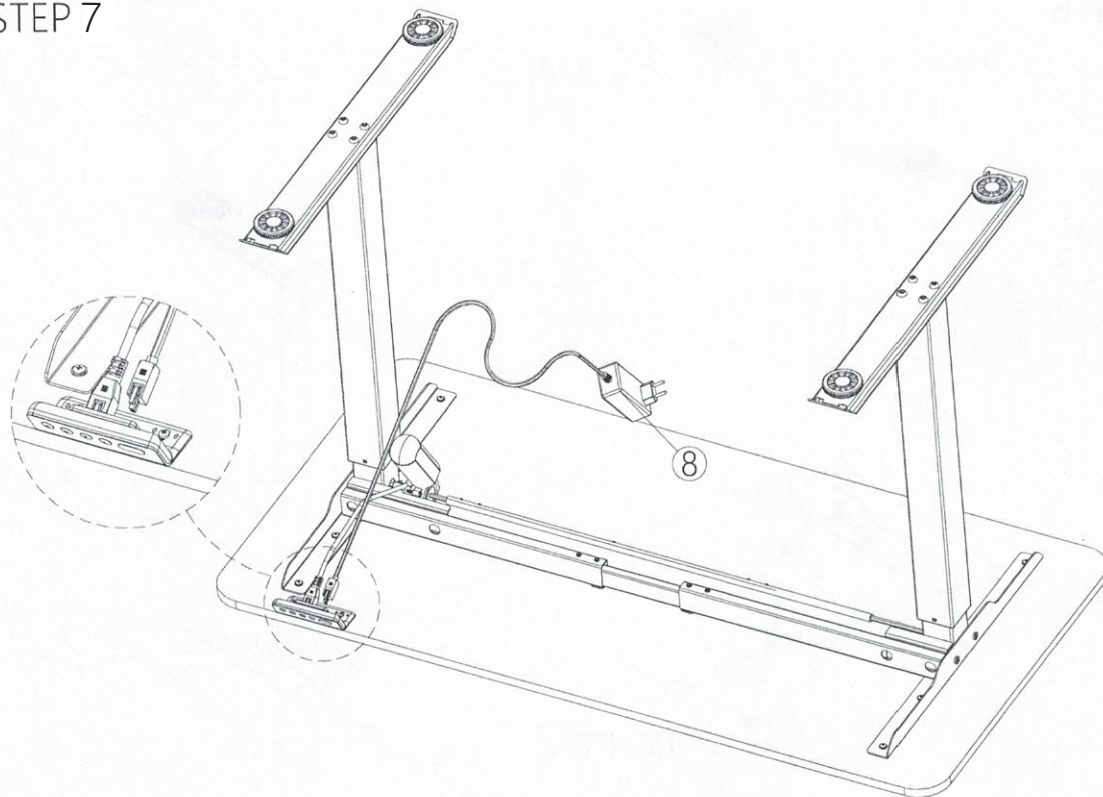


STEP 6

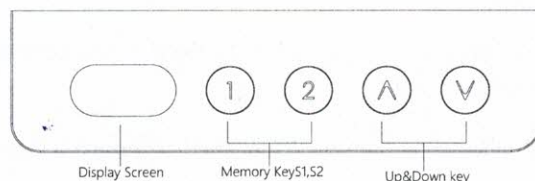


INSTALLATION INSTRUCTION

STEP 7



DIRECTIONS FOR USE



The whole handset surface is a button panel. If there is no press within 30 seconds, the screen is locked and 1/2 keys are locked correspondingly, you should press Up or Down key first, it can be used when the display screen light up.

■ Display Screen

Display the height value of the desk.

■ Up & Down Keys

Please keep pressing UP/DOWN key to adjust desk height until you get an optimum height.

■ Memory Key (1/2)

After setting memory keys, the desk can lift automatically to memory height.

✗ How to set memory mode

The handset has 2 memory keys. Operate the desk to a specific height, press "1" or "2" key, screen will display "S-1" or "S-2", the memory height is saved. Then light press 1/2, the desk moves to memory height automatically.

■ Set Key(S)

Press the "S" key when memory bits and internal parameters need to be set.

■ Initialization

1. When "RST" is on the display screen, press the "V" button until the desk frame reaches its lowest point.

After hearing the "di" sound and desk frame rebounds, initialization is completed.

(P.S. The button cannot be released during this operation, otherwise the initialization will fail)

2. Forced initialization: Press the "V" button until the desk frame reaches its lowest point, then release the button and press it again for about 5 seconds until hear the "di" sound and desk frame rebound, and the initialization is completed.

3. Restore the factory settings: When new controller is changed or the parameters need to be restored to the factory settings, press the "A" and "V" buttons simultaneously, you will hear the first "di" sound after about 5 seconds and second "di" sound after 10 seconds. When the display screen shows "RST", please operate refer to the No.1 item.

■ Safety Function

When the desktop is on the rise or down, encountered reverse resistance, the desk will rebound.

■ Handset shows error code and solution

Error code	Fault cause	Solution
E1,E6,E7	power fault	change power
E2	nsynchronous height over 1cm	Implement the initialization operation 1
E4	handset fault	Unplug and replug the cable of hand set
E5	Anticollision alert	Rebound reminder , normal condition
E8	desktop sloping	check the desktop
E11,E21	Motor defect	inspect the motor wire
E12,E22	controller fault	Exchange the controller
E14~E17,E24~E27	motor fault	change motor
E18,E28	overloading	reduce the loading
HOT	overtime operation	Automatic recovery after stop using for 20 minutes

DIRECTIONS FOR USE

■ Advanced Function Settings

Reset original status: Press " ^ " and " v " in 10 seconds till hear a bee sound , now the system into factory default data.

Limited height setting: Press " ^ " and " v " key for 5 seconds till heard a bee sound , limited height setting success.

(minimum limited height < 96 , maximum limited height > 97).

Lock and unlock: Press " ^ " and " S2 " key for 5 seconds , Screen display "LOC" , system locked up, Press " v " and " S2 " key for 5 seconds, screen display "LOC" turn to number , system unlocked.

Pressing "S2" key for 5 second till digital screen display "S-1" , press " ^ " or " v " key to choose

S-1 Metric and Inch exchange	Click "S2" Key	<ul style="list-style-type: none"> ^ 0 Metric v 1 Inch
S-2 Gyroscope anti collision sensitivity	Click "S2" Key	<ul style="list-style-type: none"> ^ 0 shut down v 1 The most insensitive v 8 The most sensitive
S-3 Current up anti collision sensitivity	Click "S2" Key	<ul style="list-style-type: none"> ^ 0 shut down v 1 The most insensitive v 8 The most sensitive
S-4 Current down anti collision sensitivity	Click "S2" Key	<ul style="list-style-type: none"> ^ 0 shut down v 1 The most insensitive v 8 The most sensitive
S-5 Basement height	Click "S2" Key	Use ^ or v adjust the basement height
S-6 "S"key height operation choose	Click "S2" Key	<ul style="list-style-type: none"> ^ 0 Long pressing desk running, hands off desk stop running v 1 Click desk running, second click to stop running
S-7 Operation duty recycle	Click "S2" Key	<ul style="list-style-type: none"> ^ 0 Indicate shutting 2min/18 min duty recycle, controller under temperature protection v 1 Indicate start 2min/18min duty recycle

Click "S2" key to back, setting success